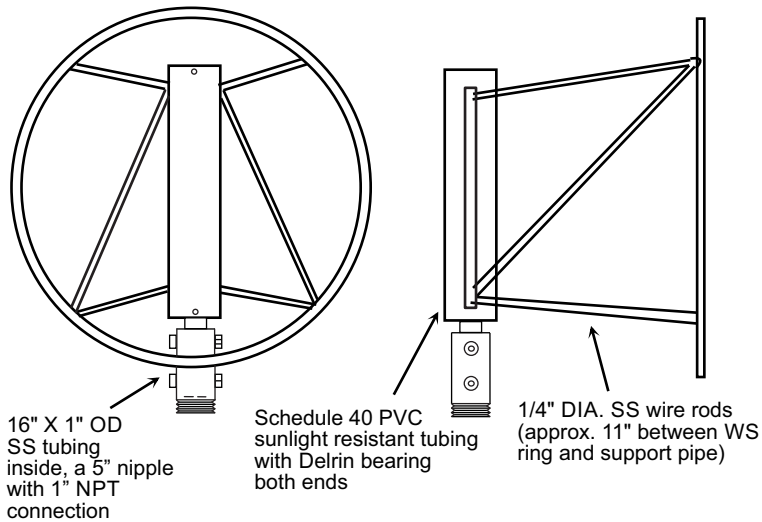
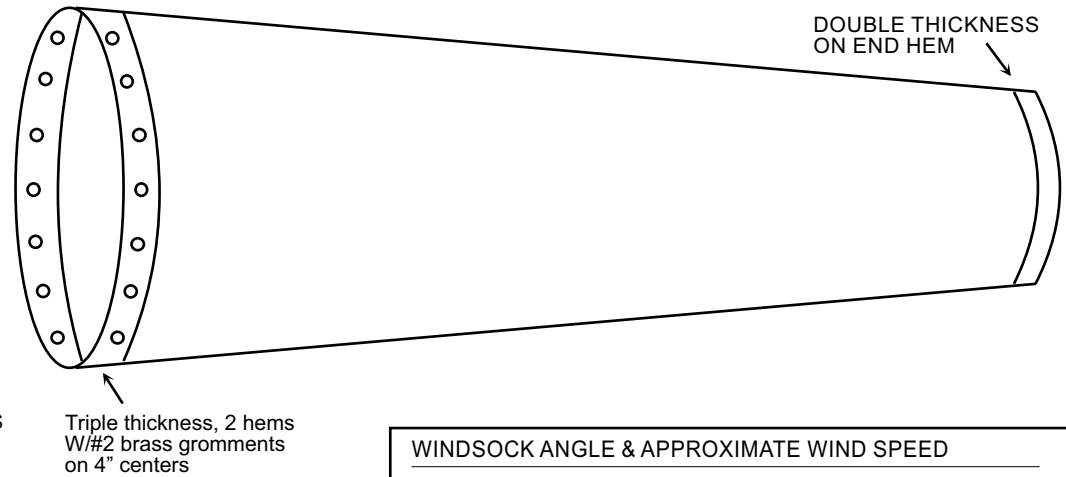


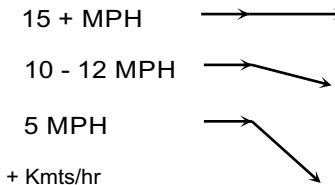
## FRAME ASSEMBLY (Non-lighted)



## WINDSOCK



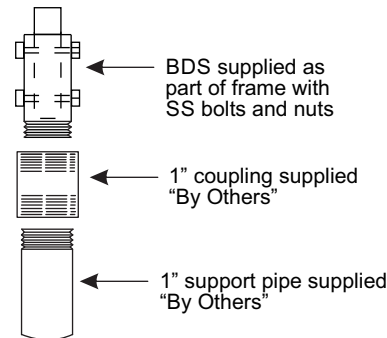
### WINDSOCK ANGLE & APPROXIMATE WIND SPEED



Miles/hr X 1.609 + Kmts/hr

### FRAME INSTALLATION (B18 frame shown, B24 / B36 similar)

1. Bottom frame connection supplied with a 1" NPT SS pipe nipple for easy installation. (details shown at right)
2. Install on 1" or larger support pipe using proper couplings supplied "By Others". Check all screw connections. Recommend 6' or longer support pipe.
3. Install windsock on frame using self-locking nylon ties.
4. No parts to lubricate or service. No part will rust or corrode.
5. Windsock should be installed in an open free air space - not near fans, stacks or other locations which will result in unreliable wind readings.



## FRAMES

MODEL	PRICE	PART NO.	MAT'L (Nylon)	MOUTH (IN)	BODY (LENGTH)	TAIL (OUT)	PRICE
WF18	415.00	W185-IO	INT'L ORANGE	18"	5' 0"	8"	135.00
WF18	415.00	W188-IO	INT'L ORANGE	18"	8' 0"	8"	145.00
WF24	515.00	W248-IO	INT'L ORANGE	24"	8' 0"	12"	170.00
WF36	615.00	W3610-IO	INT'L ORANGE	36"	10' 0"	12"	185.00
WF36	615.00	W3612-IO	INT'L ORANGE	36"	12' 0"	12"	195.00

## WINDSOCKS

### NOTES

- (a) All standard International Orange (nylon), other materials available
- (b) Windsocks are FAA approved
- (c) Frames all Stainless Steel or non-corrosive parts. No parts to rust. No ball bearings - Delrin bearings. No maintenance
- (d) Order frames and / or windsocks by model / part number/s
- (e) All pricing in US dollars. Shipping FOB Warwick, PA USA
- (f) Self-locking weather-resistant nylon black ties are supplied when windsock & frame are ordered together on the same order.
- (g) Letters & designs printed on windsocks - consult BDS Systems
- (h) 18" lighted windsock frames standard, 24" and 36" available
- (i) Lighted windsocks visit: [www.bdssystems.com](http://www.bdssystems.com)
- (j) All Items made in the USA
- (k) Inches X 2.540 = cm      Feet X 0.3048 = mts
- (l) Cm X 0.3937 = inches      Meters X 3.281 = feet

NO SCALE

# BDS SYSTEMS INC.

939 NATHANIEL TRAIL • WARWICK, PA 18974

DRAWN KLB	DATE 11/23/15	FRAMES & WINDSOCKS	
APPD RBB	DATE 6/1/18	WINDS180820.des	REV

Pricing and specifications subject to change without notice. C/F = Consult Factory