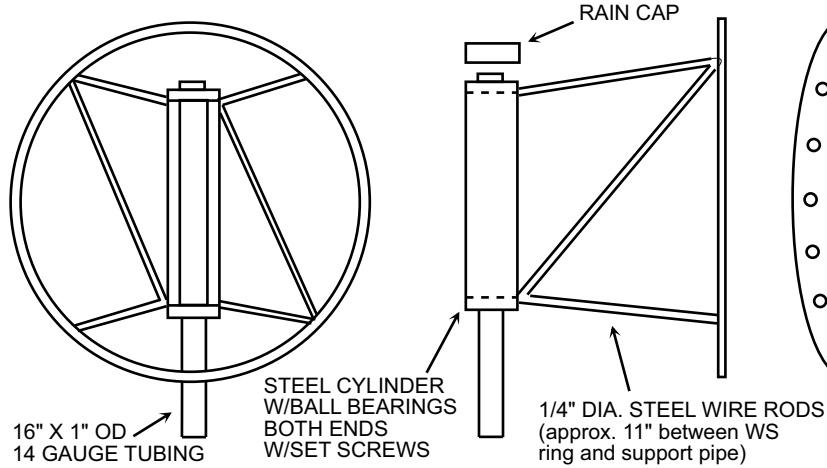


## FRAME ASSEMBLY (Non-lighted)

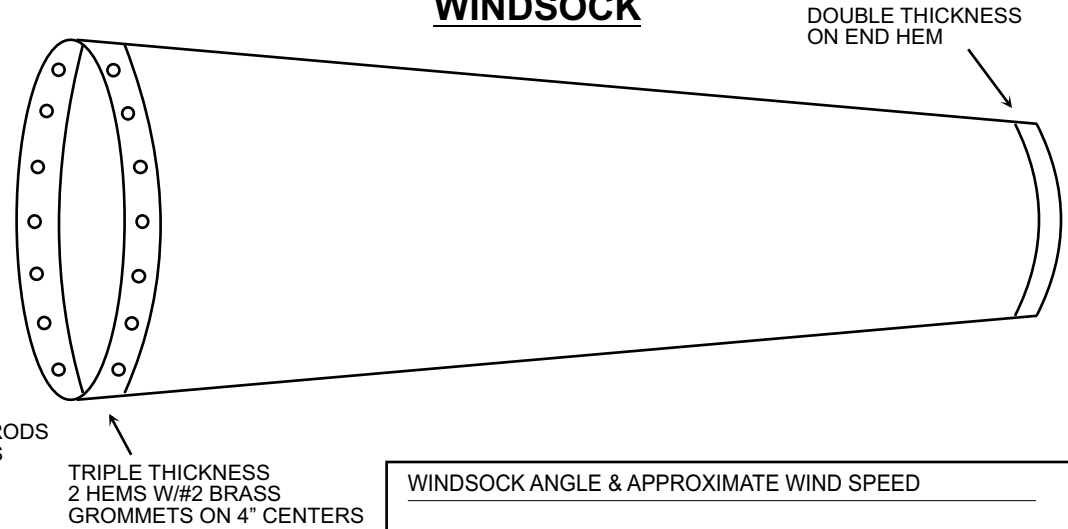


16" X 1" OD  
14 GAUGE TUBING

STEEL CYLINDER  
W/BALL BEARINGS  
BOTH ENDS  
W/SET SCREWS

1/4" DIA. STEEL WIRE RODS  
(approx. 11" between WS  
ring and support pipe)

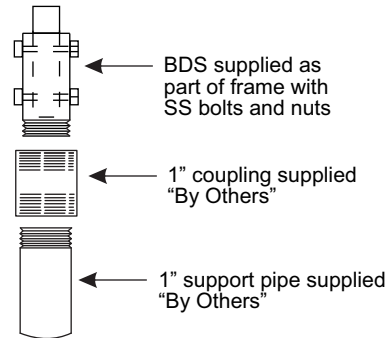
## WINDSOCK



TRIPLE THICKNESS  
2 HEMS W/#2 BRASS  
GROMMETS ON 4" CENTERS

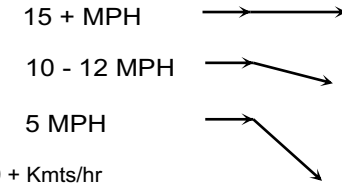
### FRAME INSTALLATION (C718 frame shown, C724/C736 similar)

1. Bottom frame connection supplied with a 1" threaded pipe for easy installation. (shown at right)
2. Install on 1" or larger support pipe using proper couplings supplied "By Others". Check all screw connections and rain cap. Center 1" support tubing should not extend above top ball bearing assembly. Recommend 8' or longer support pipe.
3. Install windsock on frame using self-locking nylon ties.
4. Windsock should be installed in an open free air space - not near fans, stacks or other locations which will result in unreliable wind readings.



1" support pipe supplied  
"By Others"

### WINDSOCK ANGLE & APPROXIMATE WIND SPEED



Miles/hr X 1.609 + Kmets/hr

### NOTES

- (a) IO = INTERNATIONAL ORANGE (NYLON), WN = WHITE NYLON
- (b) Windsocks are FAA approved
- (c) Non-lighted windsock frames, steel construction, painted
- (d) Order frame and / or windsocks by part number/s
- (e) Manufactured by Chalfant Sewing Fabricators Inc./ BDS Systems Inc.
- (f) All pricing in US dollars. Shipping FOB Warwick, PA USA
- (g) Self-locking weather-resistant nylon black ties only supplied when windsock & frame are ordered together on same order.
- (h) Letters & designs printed on windsocks - consult BDS Systems
- (i) 18" lighted windsock frames standard, 24" and 36" available
- (j) Lighted windsocks visit: [www.bdssystem.com](http://www.bdssystem.com)
- (k) All items made in the USA
- (l) Inches X 2.540 = cm Feet X 0.3048 = mts
- (m) Cm X 0.3937 = inches Meters X 3.281 = feet

NO SCALE

### (Non-lighted) FRAME

PART NO.	PRICE
C718	165.00
C718	165.00
C724	175.00
C736	185.00
C736	185.00

### WINDSOCK

MOUTH (IN)	BODY (LENGTH)	TAIL (OUT)	MATERIALS	PART NO.	PRICE
18"	5' 0"	8"	INT'L ORANGE WHITE NYLON	C421IO C421WN	125.00 130.00
18"	8' 0"	8"	INT'L ORANGE. WHITE NYLON	C422IO C422WN	135.00 140.00
24"	8' 0"	12"	INT'L ORANGE WHITE NYLON	C423IO C423WN	145.00 150.00
36"	10' 0"	12"	INT'L ORANGE. WHITE NYLON	C425IO C425WN	160.00 165.00
36"	12' 0"	12"	INT'L ORANGE. WHITE NYLON	C427IO C427WN	170.00 175.00

Pricing and specifications subject to change without notice

[www.bdssystem.com/700d.html](http://www.bdssystem.com/700d.html)

# BDS SYSTEMS INC.

939 NATHANIEL TRAIL • WARWICK, PA 18974

DRAWN KLB	DATE 9/23/11	WINDSOCKS "LACE ON TYPE"	
APPD RBB	DATE 5/30/14	WINDS5.des	REV A

215-345-0436